



PanBlast™ Kombi II NPT Remote Control Valve



Surface Finishing
Equipment Group

Distributed by: Hogg Blasting & Finishing Equipment Ltd. Tel: 0191 415 3030 - Abraclean Ltd. Tel: 0161 480 8087 - Part of the Surface Finishing Equipment Group - www.sfeq.co.uk

PanBlast™ Kombi II NPT Remote Control Valve

The PanBlast™ Kombi II NPT Remote Control Valve is a combination inlet and outlet valve controlling both the compressed air supply and the exhaust air to and from the blast pot.

The PanBlast™ Kombi II NPT Remote Control Valve is the latest development of the Kombi Valve featuring a simplified design and utilizing modern materials and processes.

Features:

- * Updated simplified design with the exhaust hose compression body now integrated with the main cylinder body.
- * A redesigned upper rod guide, now moulded in Delrin®.
- * A new clear acrylic top cover allows inspection of the exhaust hose closing action and condition of the exhaust hose.
- * Powder coat finish on all external surfaces.
- * Anodized internal main cylinder.
- * Complete interchangeability with the Kombi I Valve and other generic type valves, providing a simple 'plug out, plug in' retrofit solution.

Operation of the PanBlast™ Kombi II NPT Remote Control Valve is via a pneumatic signal received from the PanBlast™ AirStop Remote Control Handle when the lever is depressed by the operator. The pneumatic signal drives a single piston assembly that simultaneously opens the supply air inlet port and clamps the exhaust hose closed which in turn pressurizes the blast pot.

When the operator releases the AirStop Remote Control Handle the piston assembly is retraced by a return spring, simultaneously closing the supply air inlet port and releases the exhaust hose clamp and thus depressurizes the blast pot.



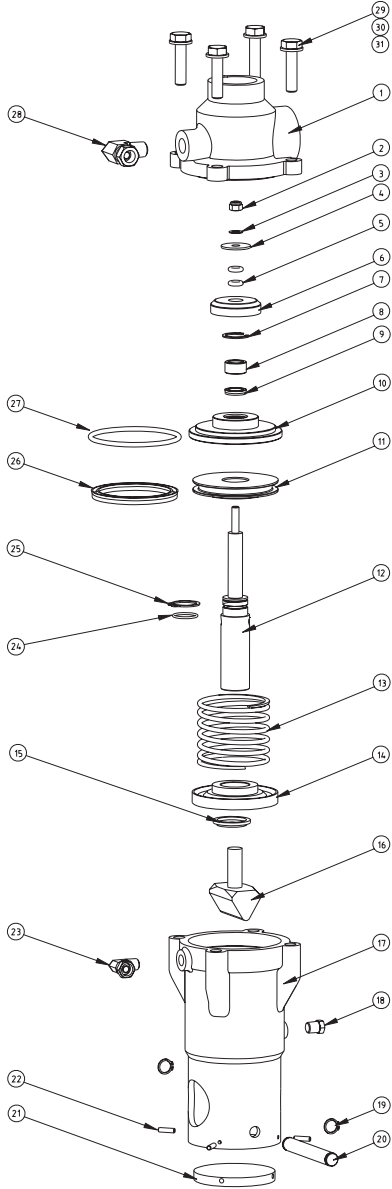
Blast Pots & Cabinets - Remote Control Valves - Abrasive Control Valves - Blast Nozzles - Nozzle Holders & Couplings - Helmets & Breathing Air Filters

Distributed by: Hogg Blasting & Finishing Equipment Ltd. Tel: 0191 415 3030 - Abraclean Ltd. Tel: 0161 480 8087 - Part of the Surface Finishing Equipment Group - www.sfeg.co.uk

PanBlast™ Kombi II NPT Valve Assembly -

Stock Code	Description	Weight
BAC-RC-0509-00	Kombi II NPT Control Valve C/W Fittings	3.9kg (8.6lbs)

PanBlast™ Kombi II NPT Valve Parts List -



Item	Stock Code	Description	Qty
1	YAC-RC-0511-00	Base	1
2	YAC-FN-PB-0256	Lock Nut 1/4"	1
3	YAC-FN-PB-0233	Curved Spring Washer ID 6.4mm	1
4	YAC-FN-PB-0217	Flat Washer ID 8mm x OD 26mm x 1.6mm Thk	1
5	YAC-BS-PB-0017	O-Ring ID 6.3mm x Dia 3.53mm	2
6	YAC-RC-PB-0158	Valve Plug	1
7	YAC-FN-0300-00	Internal Circlip to suit Dia 22mm Bore	1
8	YAC-RC-0156-01	Lower Rod Guide Bush	1
9	YAC-RC-PB-0155	Lower Seal	1
10	YAC-RC-0154-04	Lower Rod Guide	1
11	YAC-RC-PB-0153	Piston	1
12	YAC-RC-PB-0152	Shaft	1
13	YAC-RC-PB-0151	Spring	1
14	YAC-RC-0515-00	Upper Rod Guide	1
15	YAC-RC-PB-0147	Upper Seal	1
16	YAC-RC-0146-02	Pinch Ram	1
17	YAC-RC-0512-00	Cylinder	1
18	BAC-AF-PB-0168	Exhaust Filter 1/8" NPT	1
19	YAC-FN-0349-00	External Circlip Dia 12mm	2
20	YAC-RC-0514-00	Pin	1
21	YAC-RC-0513-00	Cover	1
22	YAC-FN-0347-00	Plain Cup/P Screw Socket Set M4 x 15mm	4
23	YAC-PF-PB-0234	Elbow c/w Nut F & M 1/8" NPT	1
24	YAC-BS-PB-0018	O-Ring ID 19mm x Dia 1.78mm	1
25	YAC-FN-PB-0216	External Circlip Dia 20.5mm	1
26	YAC-RC-PB-0162	Piston Seal	1
27	YAC-BS-PB-0016	O-Ring ID 73mm x Dia 5.33mm	1
28	YAC-PF-PB-0235	Elbow c/w Nut F & M 1/4" NPT	1
29	YAC-FN-0358-00	Screw Machine Socket C/Head M10 x 40mm	4
30	YAC-FN-PB-0017	Flat Washer 10mm	4
31	YAC-FN-PB-0016	Spring Washer 10mm	4

PanBlast™ Kombi II NPT Valve Service Kits -

Stock Code	Description
BAC-RC-0365-00	Plug Kit - Includes items 2, 3, 4, 5 & 6
BAC-RC-PB-0265	Seal Kit - Includes items 2, 3, 4, 5, 6, 9, 15, 24, 25, 26 & 27



Surface Finishing
Equipment Group



PanBlast™
www.panblast.com

Distributed by:
Hogg Blasting & Finishing Equipment Ltd
Tel: 0191 415 3030

Abraclean Ltd
Tel: 0161 480 8087

Part of the Surface Finishing Equipment Group
www.sfeg.co.uk

Blast Pots & Cabinets - Remote Control Valves - Abrasive Control Valves - Blast Nozzles - Nozzle Holders & Couplings - Helmets & Breathing Air Filters - Blast Suits



PanBlast™ Kombi NPT Remote Control Valve



Surface Finishing
Equipment Group

PanBlast™ Kombi NPT Remote Control Valve

The PanBlast™ Kombi NPT Remote Control Valve is a one piece combination inlet and outlet valve utilized to control compressed air supply into and out of the blast pot.

A single piston assembly is utilized to both open and close the valve's inlet and outlet sections simultaneously. The valve is operated by a pilot air signal received when the operator activates the PanBlast™ AirStop Remote Control Handle.

In its un-activated state, a return spring is used to compress a diaphragm against the valves inlet port, preventing compressed air from entering the blast pot or blast hose.

Upon receiving the signal from the control handle, the piston assembly retracts, opening the inlet port and simultaneously clamps closed the blow down exhaust hose, permitting the pot to pressurize.

When the control handle is released, the valve returns to its un-activated state, and the pot de-pressurizes.



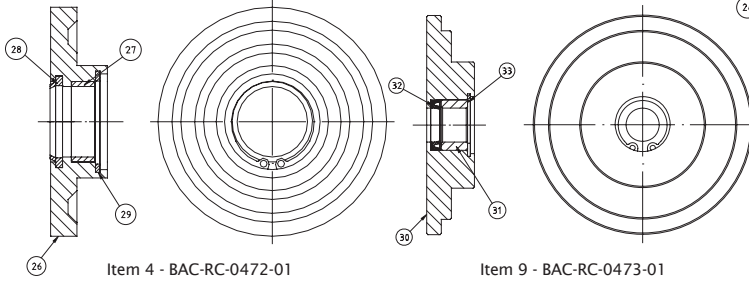
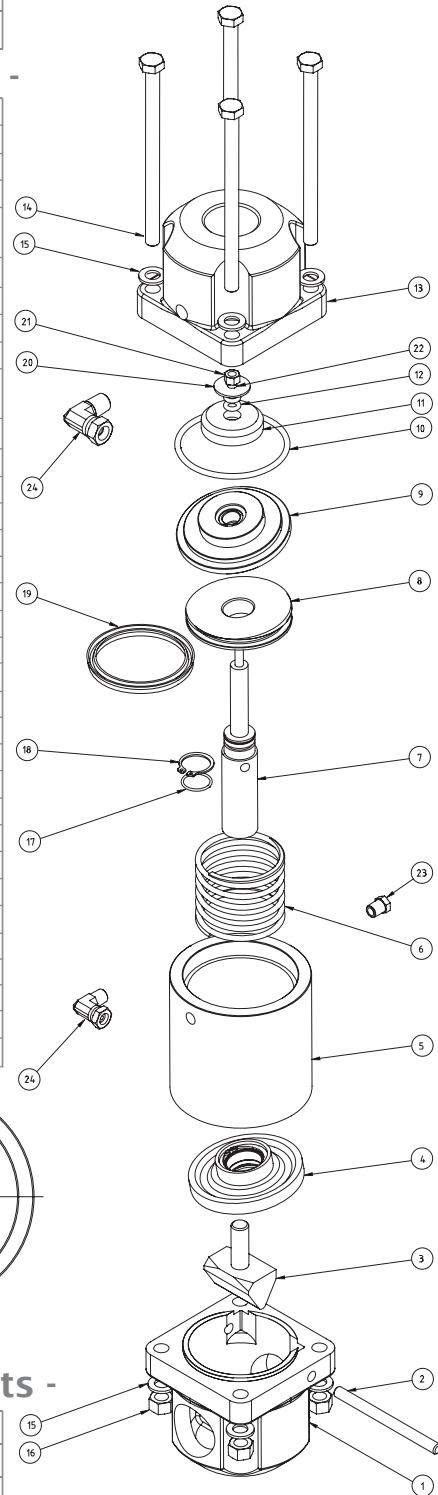
Distributed by: Hogg Blasting & Finishing Equipment Ltd. Tel: 0191 415 3030 - Abraclean Ltd. Tel: 0161 480 8087 - Part of the Surface Finishing Equipment Group - www.sfeg.co.uk

PanBlast™ Kombi NPT Valve Assembly -

Stock Code	Description	Weight
BAC-RC-0143-02	Kombi Valve Assembly	4.3kg (9.5lbs)

PanBlast™ Kombi NPT Valve Parts List -

Item	Stock Code	Description	Qty
1	YAC-RC-PB-0144	Cap	1
2	YAC-RC-PB-0145	Pin	1
3	YAC-RC-0146-02	Pinch Ram	1
4	BAC-RC-0472-01	Upper Rod Guide Assembly Combines items: 26, 27, 28 & 29	1
5	YAC-RC-PB-0150	Cylinder	1
6	YAC-RC-PB-0151	Spring	1
7	YAC-RC-PB-0152	Shaft	1
8	YAC-RC-PB-0153	Piston	1
9	BAC-RC-0473-01	Lower Rod Guide Assembly Combines items: 30, 31, 32 & 33	1
10	YAC-BS-PB-0016	O-Ring	1
11	YAC-RC-PB-0158	Valve Plug	1
12	YAC-BS-PB-0017	O-Ring	2
13	YAC-RC-PB-0160	Base	1
14	YAC-FN-PB-0215	Hex Head Bolt	4
15	YAC-FN-PB-0017	Flat Washer	8
16	YAC-FN-PB-0219	Nut	4
17	YAC-BS-PB-0018	O-Ring	1
18	YAC-FN-PB-0216	External Circlip	1
19	YAC-RC-PB-0162	Piston Seal	1
20	YAC-FN-PB-0217	Flat Washer	1
21	YAC-FN-PB-0256	Lock Nut	1
22	YAC-FN-PB-0233	Curved Spring Washer	1
23	BAC-AF-PB-0168	Exhaust Filter	1
24	YAC-PB-PB-0234	Elbow	1
25	YAC-PB-PB-0235	Elbow	1
26	YAC-RC-0148-01	Upper Rod Guide	1
27	YAC-RC-0149-01	Upper Rod Guide Bush	1
28	YAC-RC-PB-0147	Upper Rod Seal	1
29	YAC-FN-0299-00	Circlip	1
30	YAC-RC-0154-02	Lower Rod Guide	1
31	YAC-RC-0156-01	Lower Rod Guide Bush	1
32	YAC-RC-PB-0155	Lower Rod Seal	1
33	YAC-FN-0300-00	Circlip	1



PanBlast™ Kombi NPT Valve Service Kits -

Stock Code	Description
BAC-RC-PB-0242	End Cap Kit - Includes items 1 & 2
BAC-RC-PB-0265	Seal Serve Kit - Includes items 10, 11, 12, 17, 18, 19, 20, 21, 22, 28 & 32
BAC-RC-PB-0365	Plug Kit - Includes items 11, 12, 20, 21 & 22

Blast Pots & Cabinets - Remote Control Valves - Abrasive Control Valves - Blast Nozzles - Nozzle Holders & Couplings - Helmets & Breathing Air Filters - Blast Suits



Surface Finishing
Equipment Group



PanBlast™
www.panblast.com

Distributed by:
Hogg Blasting & Finishing Equipment Ltd
Tel: 0191 415 3030

Abraclean Ltd
Tel: 0161 480 8087

Part of the Surface Finishing Equipment Group
www.sfeg.co.uk



PanBlast™ Helix 150 BSP Remote Control Valve



Surface Finishing
Equipment Group

PanBlast™ Helix 150 BSP Remote Control Valve

The PanBlast™ Helix 150 BSP Remote Control Valve is made by combining the PanBlast™ Helix 100 BSP Inlet Control Valve and Helix 50 BSP Exhaust Control Valve.

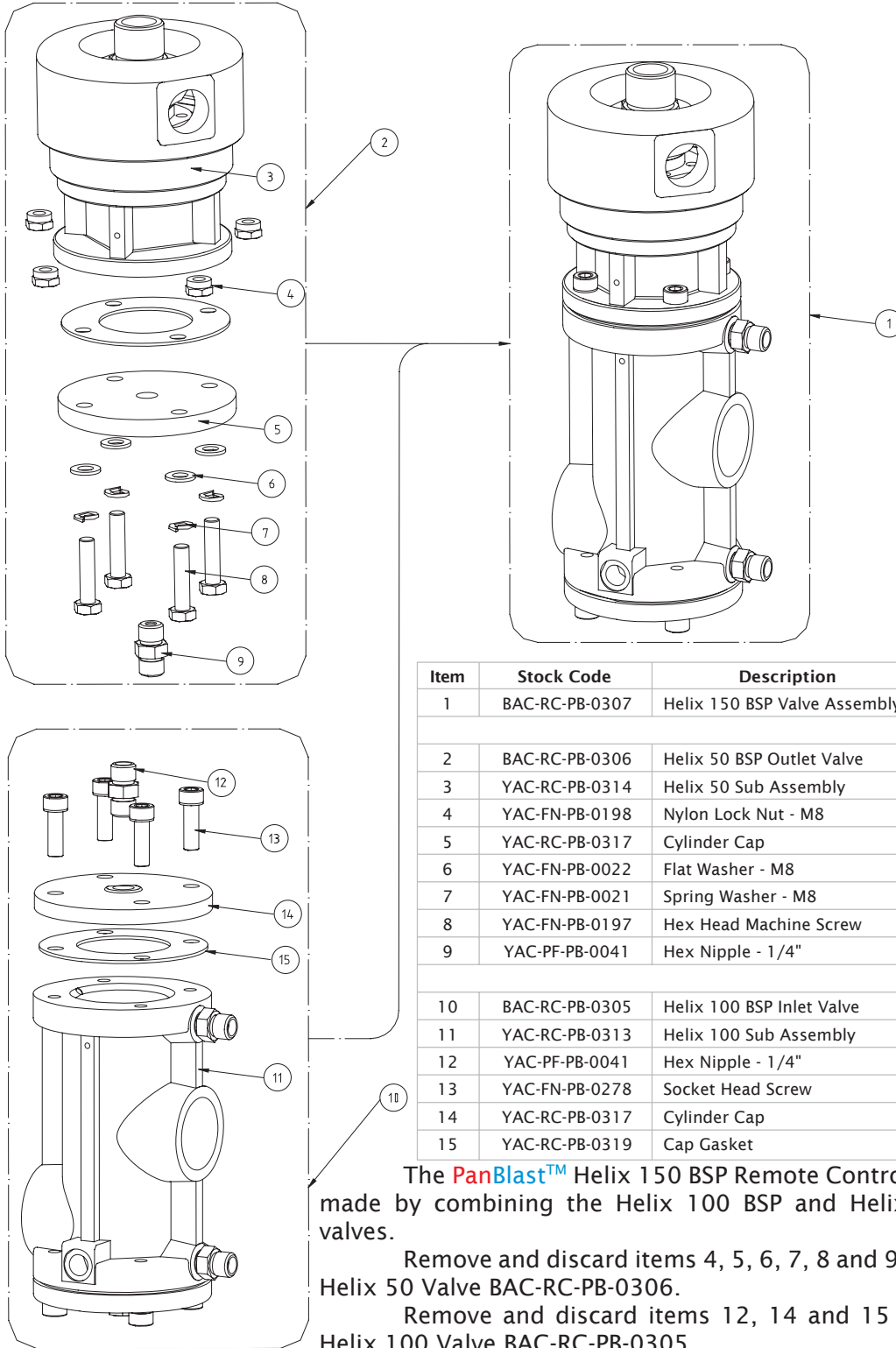
The PanBlast™ Helix 100 BSP Inlet Control Valve and Helix 50 BSP Exhaust Control Valve can be used as separate valves, but when attached together form a compact, combined inlet and outlet valve, which still retains all the operating features and benefits of the separate valves.

Powder coated outer surfaces along with anodized internal parts, provide for a very high resistance to corrosion and all Helix 150 BSP parts are fully interchangeable with the OEM RMS style valve.



Distributed by: Hogg Blasting & Finishing Equipment Ltd. Tel: 0191 415 3030 - Abraclean Ltd. Tel: 0161 480 8087 - Part of the Surface Finishing Equipment Group - www.sfeg.co.uk

PanBlast™ Helix 150 BSP Remote Control Valve -



Item	Stock Code	Description	Qty
1	BAC-RC-PB-0307	Helix 150 BSP Valve Assembly	
2	BAC-RC-PB-0306	Helix 50 BSP Outlet Valve	1
3	YAC-RC-PB-0314	Helix 50 Sub Assembly	1
4	YAC-FN-PB-0198	Nylon Lock Nut - M8	4
5	YAC-RC-PB-0317	Cylinder Cap	1
6	YAC-FN-PB-0022	Flat Washer - M8	4
7	YAC-FN-PB-0021	Spring Washer - M8	4
8	YAC-FN-PB-0197	Hex Head Machine Screw	4
9	YAC-PF-PB-0041	Hex Nipple - 1/4"	
10	BAC-RC-PB-0305	Helix 100 BSP Inlet Valve	1
11	YAC-RC-PB-0313	Helix 100 Sub Assembly	1
12	YAC-PF-PB-0041	Hex Nipple - 1/4"	1
13	YAC-FN-PB-0278	Socket Head Screw	4
14	YAC-RC-PB-0317	Cylinder Cap	1
15	YAC-RC-PB-0319	Cap Gasket	1

The PanBlast™ Helix 150 BSP Remote Control Valve is made by combining the Helix 100 BSP and Helix 50 BSP valves.

Remove and discard items 4, 5, 6, 7, 8 and 9 from the Helix 50 Valve BAC-RC-PB-0306.

Remove and discard items 12, 14 and 15 from the Helix 100 Valve BAC-RC-PB-0305.

Attached item 3 (YAC-RC-PB-0314) to item 11 (YAC-RC-PB-0313) using item 13 (YAC-FN-PB-0278) to create the Helix 150 Valve Assembly item 1 (BAC-RC-PB-0307).



Surface Finishing
Equipment Group



PanBlast™
www.panblast.com

Distributed by:

Hogg Blasting & Finishing Equipment Ltd
Tel: 0191 415 3030

Abraclean Ltd
Tel: 0161 480 8087

Part of the Surface Finishing Equipment Group
www.sfeg.co.uk

Blast Pots & Cabinets - Remote Control Valves - Abrasive Control Valves - Blast Nozzles - Nozzle Holders & Couplings - Helmets & Breathing Air Filters - Blast Suits



PanBlast™ Sola 5 BSP Remote Control Valve



Surface Finishing
Equipment Group

PanBlast™ Sola 5 BSP Remote Control Valve

The PanBlast™ Sola 5 BSP Remote Control Valve system features a piston type inlet valve, combined with a diaphragm type exhaust valve. The piston type inlet valve ensures fast and positive actuation, while the diaphragm exhaust valve provides for simple operation and ease of maintenance.

Featuring 13mm (1/2") connections, the PanBlast™ Sola 5 BSP Remote Control Valve is ideally suited to smaller capacity blast pots, where smaller size nozzles are typically used.

The PanBlast™ Sola 5 BSP Remote Control Valve construction features extensive use of aluminium with brass fittings, as well as anodizing of the valves internal surfaces which provides excellent resistance to corrosion.

A full range of service kits and parts are available and these parts are all fully compatible with the OEM products. The PanBlast™ Sola 5 BSP Remote Control Valve is also available in both BSP and NPT configurations, making suitable for all global markets.



Sola 5 BSP Exhaust Valve



Sola 5 BSP Inlet Valve

All data and information is subject to change without notice. Brochure reference # 03-004

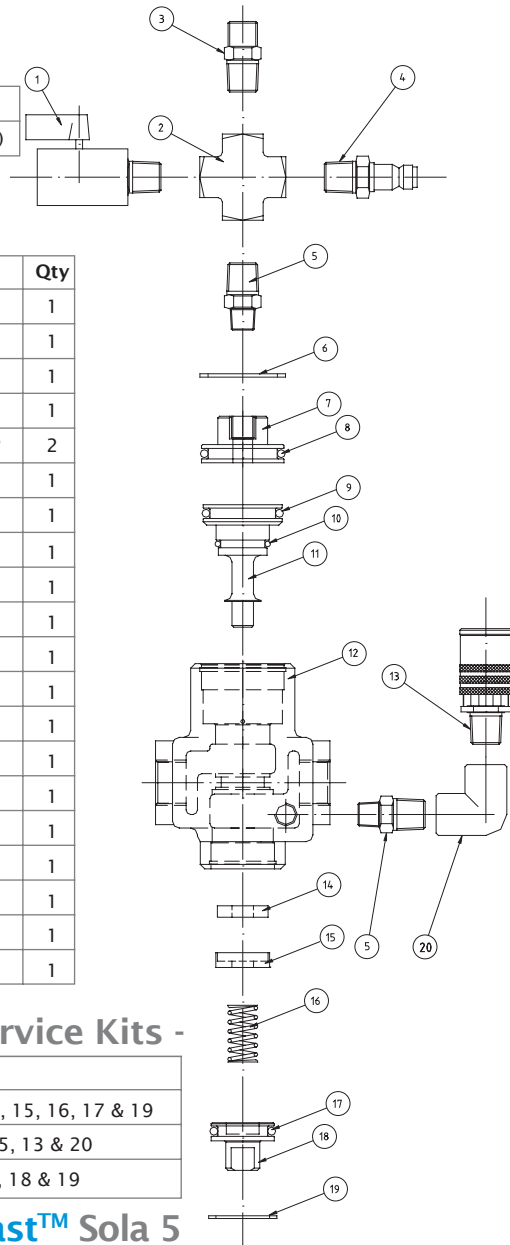
Distributed by: Hogg Blasting & Finishing Equipment Ltd. Tel: 0191 415 3030 - Abraclean Ltd. Tel: 0161 480 8087 - Part of the Surface Finishing Equipment Group - www.sfeg.co.uk

PanBlast™ Sola 5 BSP Inlet Valve Assembly -

Stock Code	Description	Weight
BAC-RC-PB-0017	Sola 5 Inlet Valve Assembly	0.67kg(1.48lbs)

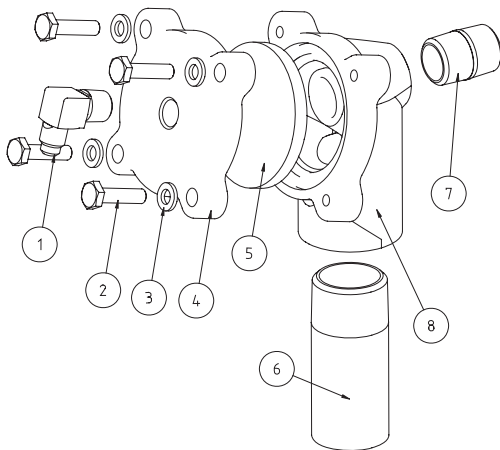
PanBlast™ Sola 5 BSP Inlet Valve Parts List -

Item	Stock Code	Description	Qty
1	YAC-PF-PB-0167	Mini Ball Valve - 1/4" BSP	1
2	YAC-PF-PB-0105	Cross - 1/4" BSP	1
3	YAC-PF-PB-0104	Hex Nipple - 1/4" Compression	1
4	YAC-PF-PB-0069	Quick Coupling - Male 1/4"	1
5	YAC-PF-PB-0124	Hex Reducing Nipple - 1/4" x 1/8" BSP	2
6	YAC-FN-PB-0203	Circlip - 36mm Bore	1
7	YAC-RC-PB-0125	Sola 5 Valve - Cap	1
8	YAC-BS-PB-0015	O-Ring - 30mm x 3.53mm	1
9	YAC-BS-PB-0005	O-Ring - 28mm x 3.53mm	1
10	YAC-BS-PB-0002	O-Ring - 19mm x 2.62mm	1
11	YAC-RC-PB-0126	Sola 5 Valve - Inlet Piston	1
12	YAC-RC-PB-0127	Sola 5 Valve - Body	1
13	YAC-PF-PB-0068	Quick Coupling - Female 1/4"	1
14	YAC-RC-PB-0131	Flat Rubber Washer	1
15	YAC-RC-PB-0128	Inlet Retainer	1
16	YAC-RC-PB-0129	Sola 5 Valve - Spring	1
17	YAC-BS-PB-0014	O-Ring - 21.2mm x 3.53mm	1
18	YAC-RC-PB-0130	Bottom Plug	1
19	YAC-FN-PB-0204	Circlip - 28mm Bore	1
20	YAC-PF-PB-0040	Elbow F & F - 1/4"	1



PanBlast™ Sola 5 BSP Inlet Valve Service Kits -

Stock Code	Description
BAC-RC-PB-0006	Sola 5 Seal Kit - Includes items 6, 8, 9, 10, 14, 15, 16, 17 & 19
BAC-RC-PB-0007	Sola 5 Fittings Kit - Includes items 1, 2, 3, 4, 5, 13 & 20
BAC-RC-PB-0008	Sola 5 Piston Kit - Includes items 6, 7, 11, 15, 18 & 19



PanBlast™ Sola 5 BSP Exhaust Valve Assembly -

Stock Code	Description	Weight
BAC-RC-PB-0018	Sola 5 Exhaust Valve Assembly	0.76kg(1.68lbs)

PanBlast™ Sola 5 BSP Exhaust Valve Parts List -

Item	Stock Code	Description	Qty
1	YAC-PF-PB-0215	Elbow - 1/4" M x 7/16" UNF Comp.	1
2	YAC-FN-PB-0254	Machine Screw - 1/4" UNC x 1"	4
3	YAC-FN-PB-0118	Spring Washer - 1/4"	4
4	YAC-RC-PB-0254	Sola 5 Exhaust Valve Cap	1
5	YAC-RC-PB-0253	Diaphragm	1
6	YAC-RC-PB-0106	Toe Nipple - 1" NPT	1
7	YAC-PF-PB-0227	Nipple - 1/2" NPT	1
8	YAC-RC-PB-0252	Sola 5 Exhaust Valve Body	1



Surface Finishing
Equipment Group



PanBlast™
www.panblast.com

Distributed by:
Hogg Blasting & Finishing Equipment Ltd
Tel: 0191 415 3030

Abraclean Ltd
Tel: 0161 480 8087

Part of the Surface Finishing Equipment Group
www.sfeg.co.uk

Blast Pots & Cabinets - Remote Control Valves - Abrasive Control Valves - Blast Nozzles - Nozzle Holders & Couplings - Helmets & Breathing Air Filters - Blast Suits



PanBlast™ UniFlo BSP Remote Control Valve



Surface Finishing
Equipment Group

Distributed by: Hogg Blasting & Finishing Equipment Ltd Tel: 0191 415 3030 - Abraclean Ltd Tel: 0161 480 8087 - Part of the Surface Finishing Equipment Group - www.sieg.co.uk

PanBlast™ UniFlo BSP Remote Control Valve

The PanBlast™ UniFlo BSP Remote Control Valve is an air operated inlet/outlet valve utilized to control the supply of compressed air into the blast pot. In its un-activated or closed position, the valve shuts off the compressed air supply to the blast pot and simultaneously opens the pot outlet port to release any compressed air contained in the blast pot.



Operation of the PanBlast™ UniFlo BSP Remote Control Valve is via a pilot air signal from the operator depressing the PanBlast™ AirFlo Remote Control Handle.

Upon receiving a pilot air signal from the depressed AirFlo Remote Control Handle, the PanBlast™ UniFlo BSP Remote Control Valve will instantaneously open, thus permitting the pot to pressurize and supply compressed air to the blast hose. Simultaneously, the Remote Control UniFlo Valve closes the pot outlet port, thus sealing the blast pot.

The PanBlast™ UniFlo BSP Remote Control Valve is a normally closed style valve, utilizing a spring to seal during its un-activated closed state. Being a one piece design, the UniFlo BSP Remote Control Valve is easy to install onto existing equipment and is easily accessible for maintenance without requiring removal from the blast pot.

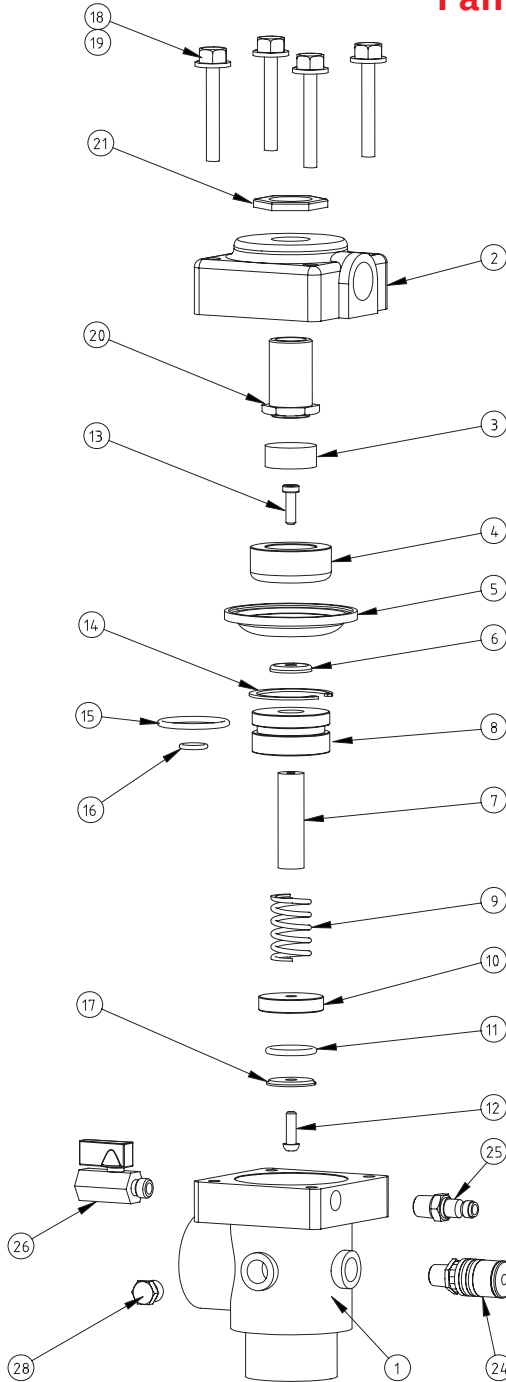
Blast Pots & Cabinets - Remote Control Valves - Abrasive Control Valves - Blast Nozzles - Nozzle Holders & Couplings - Helmets & Breathing Air Filters

All data and information is subject to change without notice. Brochure reference # 03-002

PanBlast™ UniFlo BSP Valve Assembly -

Stock Code	Description	Weight
BAC-RC-PB-0014	UniFlo Valve Assembly	2.50kg (5.51lbs)

PanBlast™ UniFlo BSP Valve Parts List -



Item	Stock Code	Description	Qty
1	YAC-RC-PB-0068	Main Body	1
2	BAC-RC-PB-0069	Exhaust Chamber	1
3	YAC-RC-PB-0070	Exhaust Pad	1
4	YAC-RC-PB-0071	Piston	1
5	YAC-RC-PB-0072	Diaphragm	1
6	YAC-RC-PB-0073	Backing Washer	1
7	YAC-RC-PB-0074	Piston Rod	1
8	YAC-RC-PB-0075	Bush	1
9	YAC-RC-PB-0076	Spring	1
10	YAC-RC-PB-0077	Piston End Cap	1
11	YAC-RC-PB-0078	Retaining Disk	1
12	YAC-FN-PB-0099	M6 x 20mm Socket Button Head Machine Screw	1
13	YAC-FN-PB-0100	M6 x 20mm Socket Cap Head Machine Screw	1
14	YAC-FN-PB-0101	Internal Circlip to suit Dia 48mm Bore	1
15	YAC-BS-PB-0012	O-Ring ID 41mm x Dia 3.53mm	1
16	YAC-BS-PB-0006	O-Ring ID 15mm x Dia 2.62mm	1
17	YAC-BS-PB-0005	O-Ring ID 28mm x Dia 3.53mm	1
18	YAC-FN-PB-0102	M8 x 50mm Hexagon Head Bolt	4
19	YAC-FN-PB-0022	M8 Flat Washer	4
20	YAC-RC-PB-0083	Nipple 3/4" BSP (Fabricated)	1
21	YAC-RC-PB-0095	Nut 3/4" BSP	1
22	YAC-PF-PB-0067	Quick Coupling - Male 6mm	1
23	YAC-PF-PB-0066	Quick Coupling - Female 6mm	1
24	YAC-PF-PB-0068	Female Quick Coupling - 1/4" Male	1
25	YAC-PF-PB-0069	Male Quick Coupling - 1/4" Male	1
26	YAC-PF-PB-0167	Mini Ball Valve - 1/4" Male to Female	1
27	YAC-FN-PB-0149	Hose Clamp 11-16 mm	2
28	YAC-PF-PB-0088	Hex Plug - 1/4" Male (Black)	1

PanBlast™ UniFlo BSP Valve Service Kits -

Stock Code	Description
BAC-RC-PB-0092	UniFlo Service Kit. Items 3, 5, 15, 16 & 17
BAC-RC-PB-0004	UniFlo Pneumatic Fittings Kit. Items 20, 21, 24, 25, 26 & 28
BAC-RC-PB-0005	UniFlo Piston Service Kit. Items 4, 6, 7, 8, 9, 10, 11, 12, 13, 14, 18 & 19
BAC-RC-PB-0097	UniFlo Top End Service Kit. Items 3, 4, 5 & 20
BAC-RC-PB-0098	UniFlo Exhaust Pad Kit. Item 3 (3 off)
BAC-RC-PB-0099	UniFlo Diaphragm Kit. Item 5 (3 off)

Distributed by: Hogg Blasting & Finishing Equipment Ltd. Tel: 0191 415 3030 - Abraclean Ltd. Tel: 0161 480 8087 - Part of the Surface Finishing Equipment Group - www.sfgg.co.uk

Blast Pots & Cabinets - Remote Control Valves - Abrasive Control Valves - Blast Nozzles - Nozzle Holders & Couplings - Helmets & Breathing Air Filters - Blast Suits



Surface Finishing
Equipment Group



PanBlast™
www.panblast.com

Distributed by:
Hogg Blasting & Finishing Equipment Ltd
Tel: 0191 415 3030

Abraclean Ltd
Tel: 0161 480 8087

Part of the Surface Finishing Equipment Group
www.sfgg.co.uk